

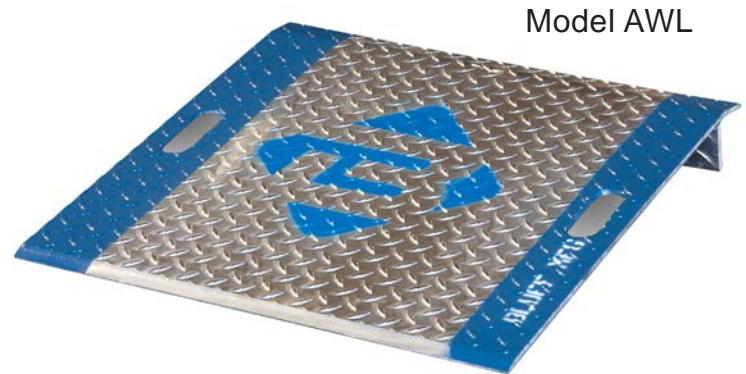


AWL and AWC Aluminum Plates

In the gas cylinder distribution process, steel cylinder pallets are used to hold both filled and depleted cylinders. Unique to Bluff, our AWL and AWC Plates are specially designed for the safe transport and distribution of industrial, medical and specialty gases on and off pallets. Made of 3/8" aluminum, these plates are light enough to be moved by hand yet strong enough to accommodate heavy cylinders. Both the AWL and AWC Plates provide excellent transition surfaces for manually maneuvering cylinders with ease and control, significantly reducing the risk of damage to cylinders and property as well as injury to personnel handling the cylinders. AWL and AWC Plates are not for use with powered vehicles.

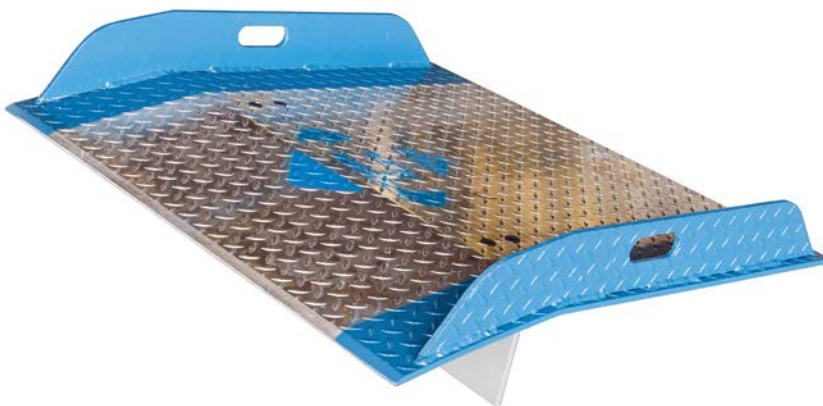
Features and Benefits Model AWL

- Lightweight 3/8" aluminum diamond plate
- Hand-hole cutouts for easy lifting and maneuvering by hand
- Capacities from 2,313 lbs. to 4,720 lbs.
- ANSI code and weight capacity stamped onto back of plate
- Standard widths from 24" to 36"
- Standard lengths from 24" to 36"
- Engineered to pallet height.
- Welded on full length leg.



Model AWL

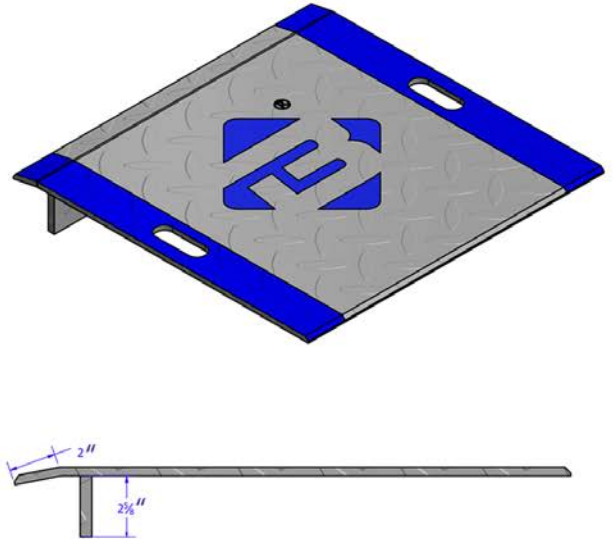
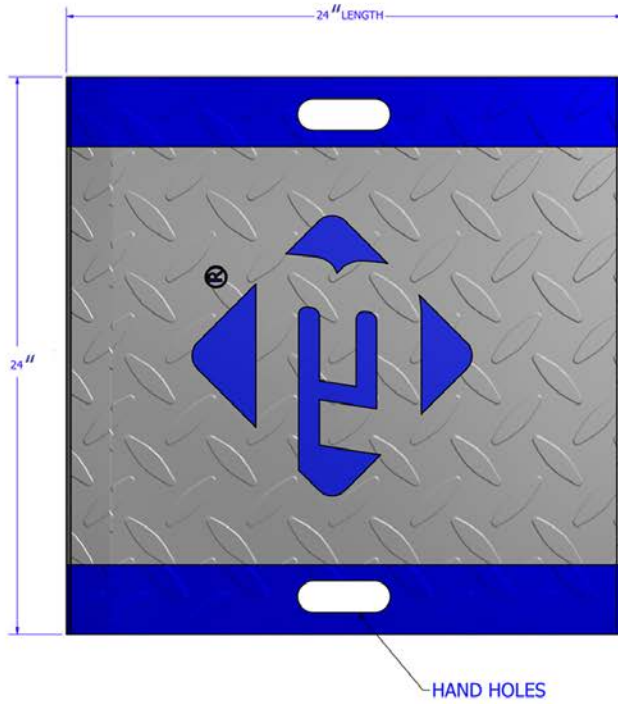
Model AWC



Features and Benefits Model AWC

- Welded 3/8" thick run-off curbs on both sides for added control
- Lightweight 3/8" aluminum diamond plate
- Hand-hole cutouts on curbs easy lifting and maneuvering by hand.
- Plates larger than 48" have two hand holes on each curb for easier handling
- Capacities from 1,453 lbs. to 4,383 lbs.
- ANSI code and weight capacity stamped onto back of plate
- Standard widths from 30" to 48"
- Standard lengths from 30" to 60"

MODEL AWL



MODEL AWC

