



Poly Curb Ramp

*For use with Hand Trucks or
Wheeled Carts*



Poly Curb Ramp, for use with hand trucks or wheeled carts, provides a safe and ergonomically correct method to move heavy loads over curbs or up steps with ease.

The raised non-slip surface with 1" side rails provides for excellent traction in all weather conditions on curbs or steps up to 8" high.

Constructed of high-density polyethylene, in high visibility safety yellow, for durable use with up to 1,000 lb. load.

Lightweight (9 lb.) ramp has two handles with rounded edges for easy pickup, carrying and handling.

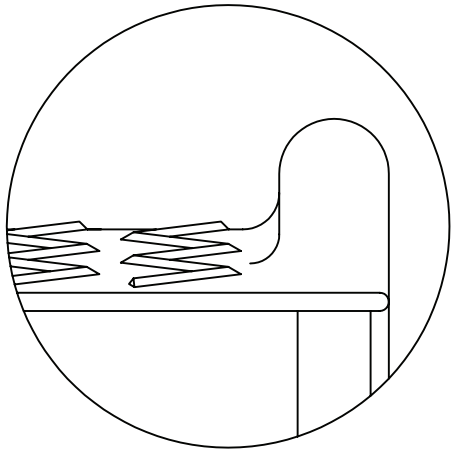
*Dimensions: 27" wide x 27" long x 4" high
Weight: 9 lb.
Load Capacity: 1,000 lb.*



SERVICE YOU CAN STAND ON

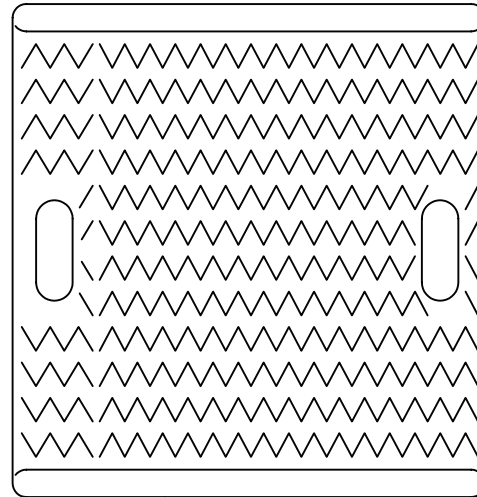
(800) 433-2212 • www.bluffmanufacturing.com • Fax 817-293-7570
1400 Everman Parkway • Suite 120 • Fort Worth, TX 76140

BLUFF POLY YELLOW RAMP

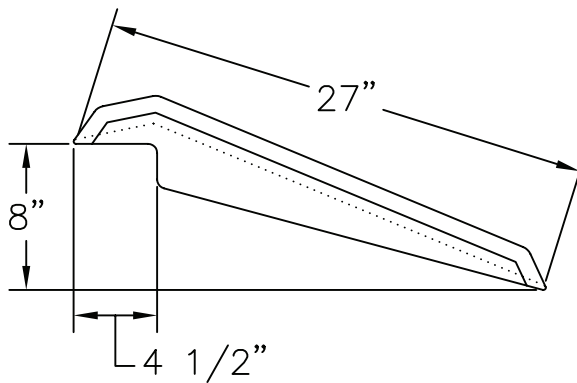
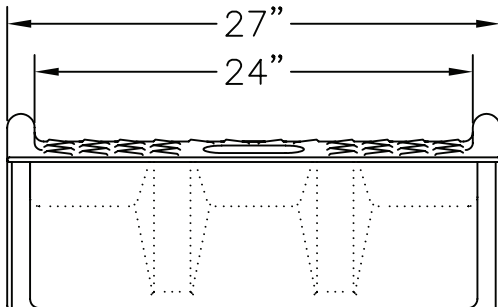


Curb and Tread Detail

Hand Holds
2" x 5 1/2"



Molded Side Curbs



Dimensions: 27" L x 27" W x 4" H
Weight: 9 lbs.
Capacity: 1000 lbs.
Color: Safety Yellow
Material: High Density Polyethylene

FOR INFORMATION ON OTHER MODELS, CONTACT BLUFF CUSTOMER SERVICE.