

EYE WASH SAFETY KIT

Models: EWC-33-MPB-W
 EWC-33-MPB-NW

Safety Kit for Eyewash Stations

This kit includes Modular Protective Barrier and anti-slip matting in an easy-to-install combo kit (excludes plumbing fixtures).

Benefits/Features

- The Eyewash Safety Kit has been designed to help meet OSHA requirements for an easily visible, clearly marked, and accessible eyewash safety station.
- Combination kit includes anti-slip mat and Modular Protective Barrier (MPB) to define the space and protect the user.
- Modular Protective Barrier (MPB) is available in two different kits to allow you to configure your own station.
- Mat is available in safety green, red, or orange to help visually injured person easily locate the wash station. Mat is 100% recycled plastic and made in the USA.
- Mat comes pre-assembled. Open grid system for surface drainage and beveled edges on 3 sides help prevent slips, trips and falls.
- MPB establishes 3' clear lane around the station and helps meet OSHA requirements.
- MPB serves as visual guide for directing traffic.
- Alternative sizes are available upon request.

**Call Bluff Manufacturing at
 (800) 433-2212 for assistance.**



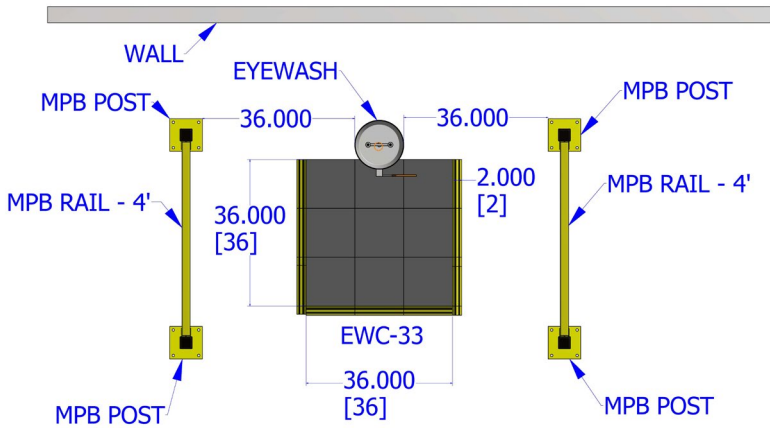
9 x (12" x 12") tiles
 pre-assembled with
 beveled edge

Model	Includes
EWC-33-MPB-W (wall configuration)	3' x 3' Mat 9 interlocking tiles in your choice of red, green or orange (we recommend green) Yellow ramp tiles on 3 sides included to prevent tripping 4 Modular Protective Barrier Posts 42" high (hardware not included). Double rails for up to 8 linear feet
EWC-33-MPB-NW (free standing configuration)	3' x 3' Mat 9 interlocking tiles in your choice of red, green or orange (we recommend green) Yellow ramp tiles on 3 sides included to prevent tripping 4 Modular Protective Barrier Posts 42" high (hardware not included). Double rails for up to 17 linear feet

20141102

EYE WASH SAFETY KIT

Wall Placement Suggested Layout



Your Desired Layout

- A. _____ I prefer layout circled to the left (wall placement or freestanding).
- B. _____ I prefer my layout below (in the box). Posts will be 42" high (special orders available).
- Wall Kit totals 8 linear feet.
 - Free Standing Kit totals 17 linear feet.

Free standing Suggested Layout

