

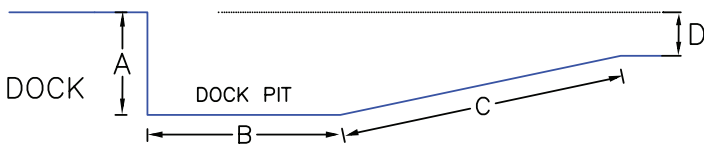
Steel & Aluminum Wheel Riser

WORKSHEET & QUESTIONNAIRE



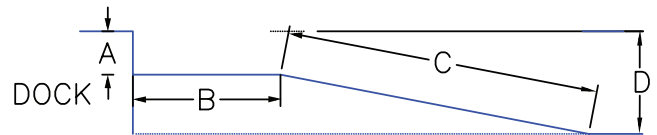
***IMPORTANT: Please provide a basic description of the type of application at your *location*.

1. Are you interested in steel or aluminum? _____.
2. Is there an edge of dock leveler at this location? _____.
3. What is the capacity required? _____ lbs.
4. Is the truck single or tandem axle? _____ (determines top length)
5. Is the truck single or dual tires? _____ (determines width)
6. Are fork pockets required? _____ (not available on riser under 4" tall)
7. What type of surface are the risers to be placed on? _____
8. Does the dock incline or decline? If so, please provide measurements below.
9. What are the typical height differences you are seeing?



DECLINE

DIM. A _____ in.
 *DIM. B _____ in.
 DIM. C _____ in.
 DIM. D _____ in.



INCLINE

DIM. A _____ in.
 *DIM. B _____ in.
 DIM. C _____ in.
 DIM. D _____ in.

* If edge of dock or bumpers are in place, please measure from face of bumper.

SERVICE YOU CAN STAND ON

(800) 433-2212 • www.bluffmanufacturing.com • Fax 817-293-7570
 1400 Everman Parkway • Suite 156 • Fort Worth, TX 76140

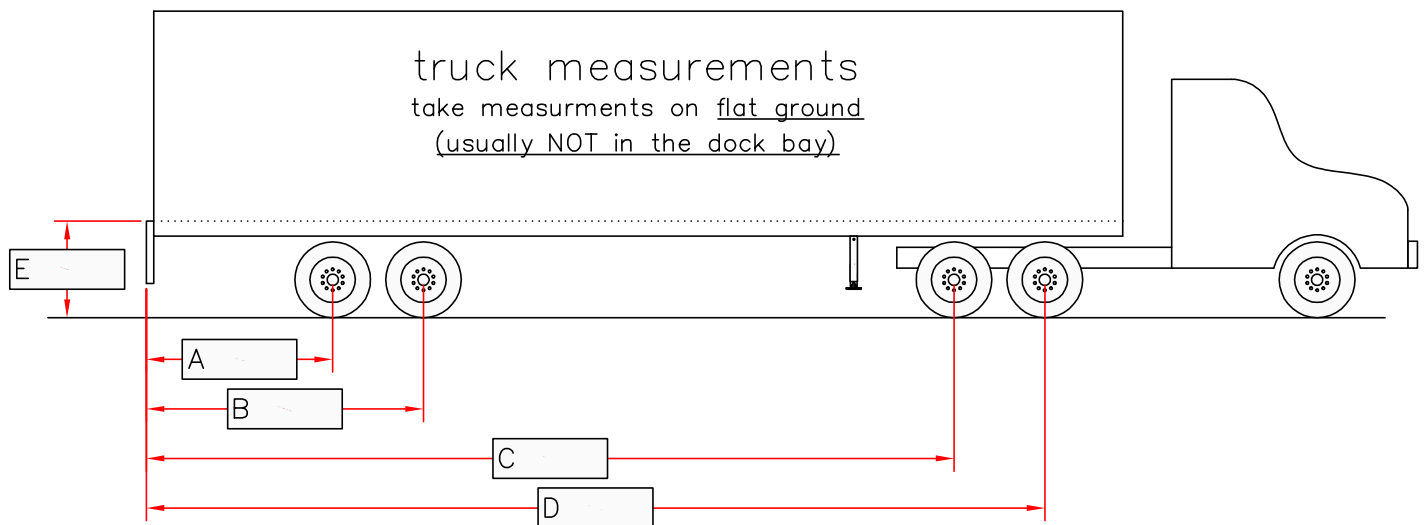
Cont'd . . .

Please provide the additional information about your vehicles.

* Record all dimensions with truck parked on a flat surface, (usually NOT in the dock bay).

Provide ALL the information that is applicable. If you service both types of trucks, please provide dimensions for both.

Truck type 1: Semi-trailer truck



Truck type 2: Box deliver truck or van

