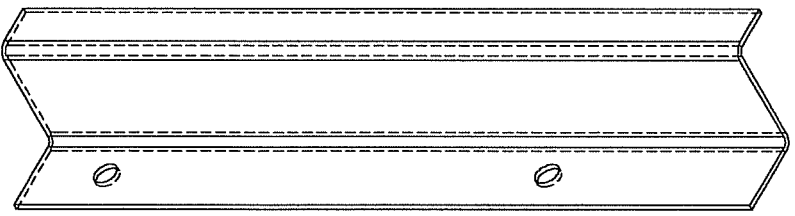
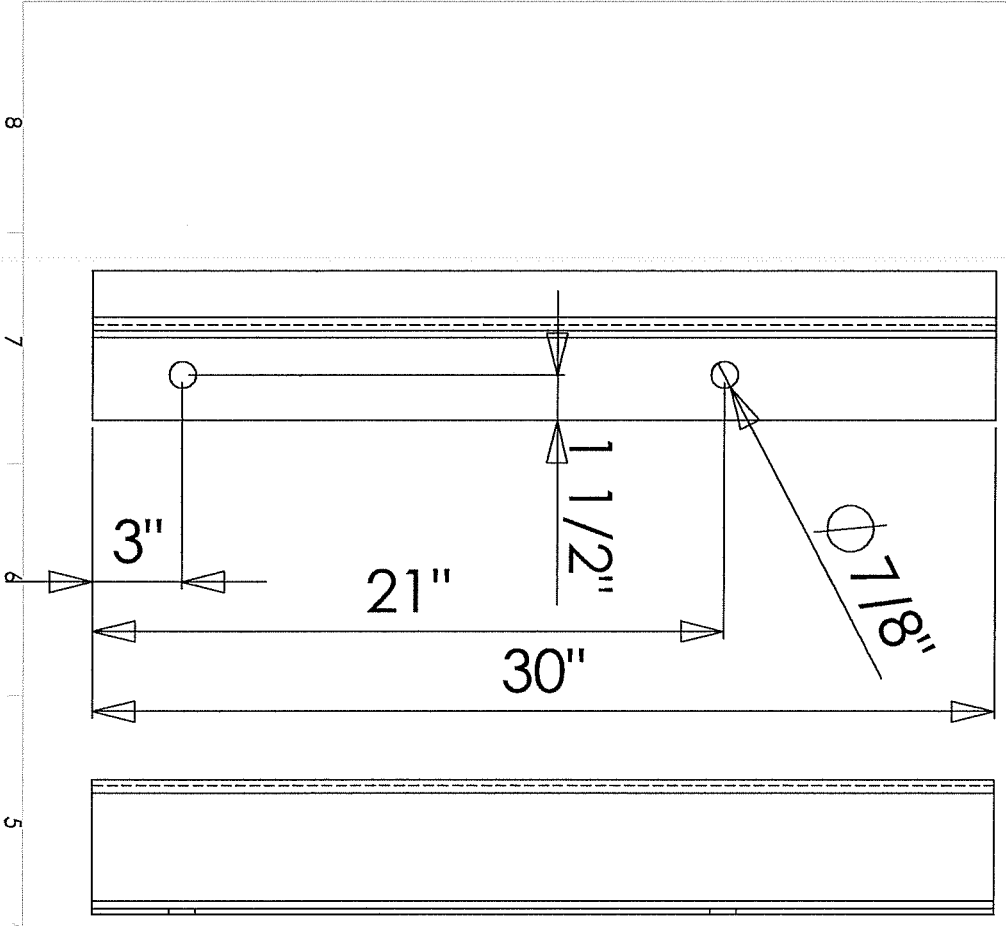
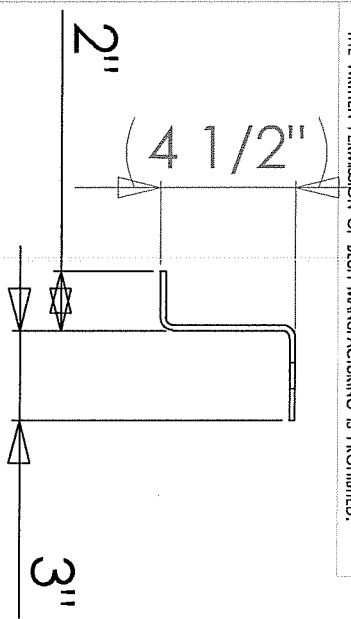


THE INFORMATION CONTAINED IN THIS DRAWING IS THE SOLE PROPERTY OF BLUFF MANUFACTURING. ANY REPRODUCTION IN PART OR WHOLE WITHOUT THE WRITTEN PERMISSION OF BLUFF MANUFACTURING IS PROHIBITED.



REV	DESCRIPTION	DATE/APPROVED

UNLESS OTHERWISE SPECIFIED DIMENSIONS ARE IN INCHES TOLERANCES ARE: FRACTIONS DECIMALS ANGLES + 1/16 .XX+ .25 + 1/2 .XXX+.002	CAD GENERATED DRAWING, DO NOT MANUALLY UPDATE
MATERIAL 3/16" A36 SSP	APPROVALS
FINISH SAFETY YELLOW POWDER COAT	DRAWN JIMKEY 13MAY05
DO NOT SCALE DRAWING	CHECKED JIMKEY 13MAY05
	RES' ENG JIMKEY 13MAY05
	MFG'NG JIMKEY 13MAY05
	QUAL'NG JIMKEY 13MAY05

BLUFF MANUFACTURING, INC.
9201 S. FREEWAY
FORT WORTH, TX 76140
800-433-2212

CUSTOM DOOR GUARD

SIZE DWG. NO. DG30NB-1	REV.
SCALE CAD FILE:	SHEET OF 1