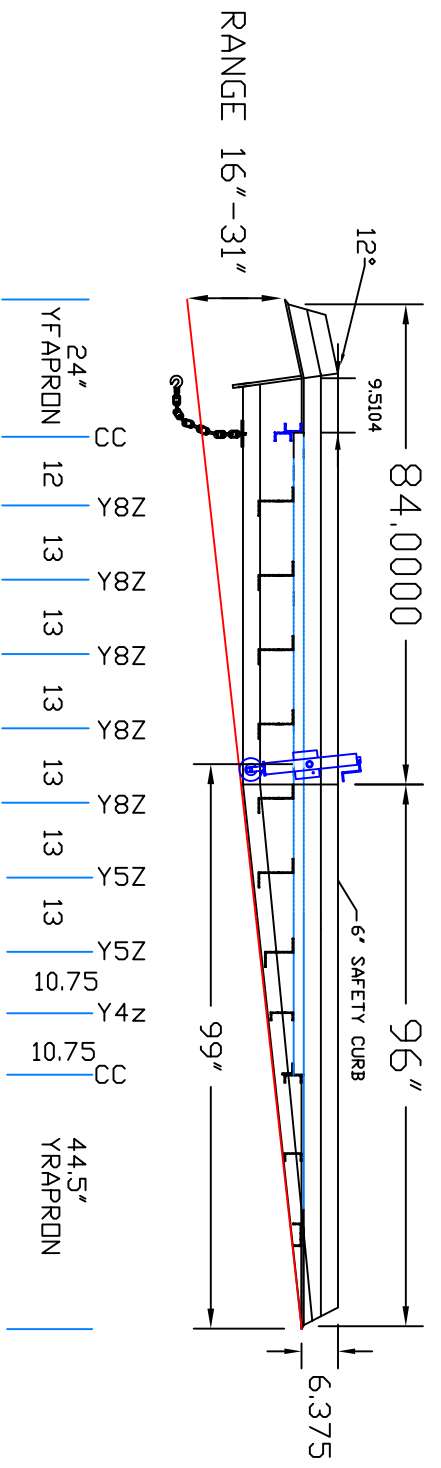
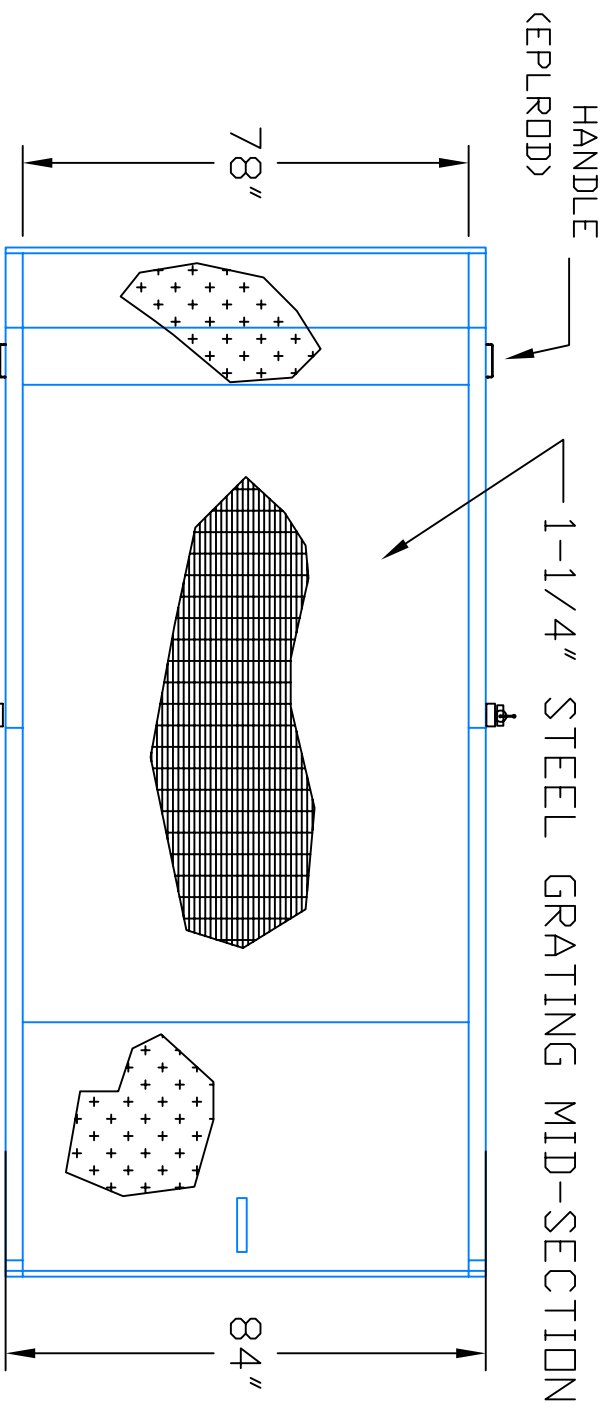


12MR_ _15



16.625" HIGH SIDE
STD. SIDE CONSTRUCTION
SCREW JACK UC

BLUFF MFG.

9201 S. FREEWAY
FORT WORTH, TX 76140

MODEL:	MINI RAMP	CUSTOMER:	
PART NO:	12MR_ _15	REV. LEVEL:	A
MATERIAL:	STEEL	DRAWN:	HMR
WEIGHT:	2165 lbs.	DATE:	22 MAY 07