



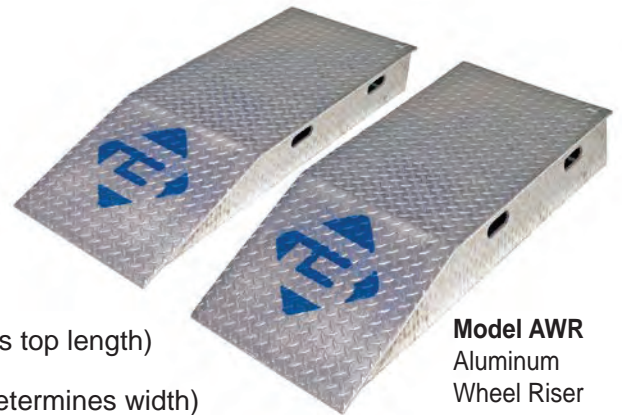
Date: _____ Phone: _____
 Company: _____
 Name: _____
 Email: _____

Steel & Aluminum Wheel Riser Worksheet and Questionnaire

IMPORTANT: Please provide a basic description of the type of application at your location.



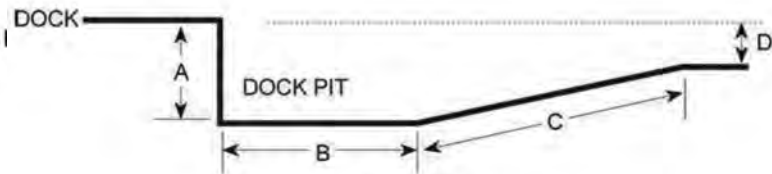
Model SWR
 Steel Wheel Riser



Model AWR
 Aluminum Wheel Riser

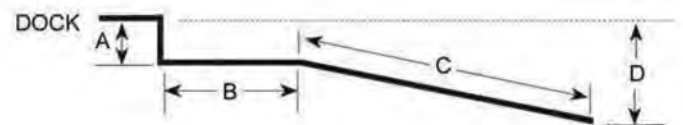
- Which type of wheel risers are you interested in? (check one)
 30,000 lb. capacity aluminum or 40,000 lb. capacity steel
- With the truck in position, how much do you need to raise the truck bed? _____ inches
- Is the truck single or tandem axle? _____ (determines top length)
- Does the truck have single or dual tires? _____ (determines width)
- What type of surface are the risers to be placed upon? _____
- Is there an edge of dock leveler at this location? _____
- Does the dock incline or decline? If so, please provide measurements on the applicable diagram below. Yes No
 If no B dimension is present, skip to Page 2.

DIAGRAM



DECLINE

DIM. A _____ inches
 * DIM. B _____ inches
 DIM. C _____ inches
 DIM. D _____ inches



INCLINE

DIM. A _____ inches
 * DIM. B _____ inches
 DIM. C _____ inches
 DIM. D _____ inches

***Measure from the dock face, not the dock bumpers.**

PLEASE COMPLETE BOTH SIDES OF THE WORKSHEET

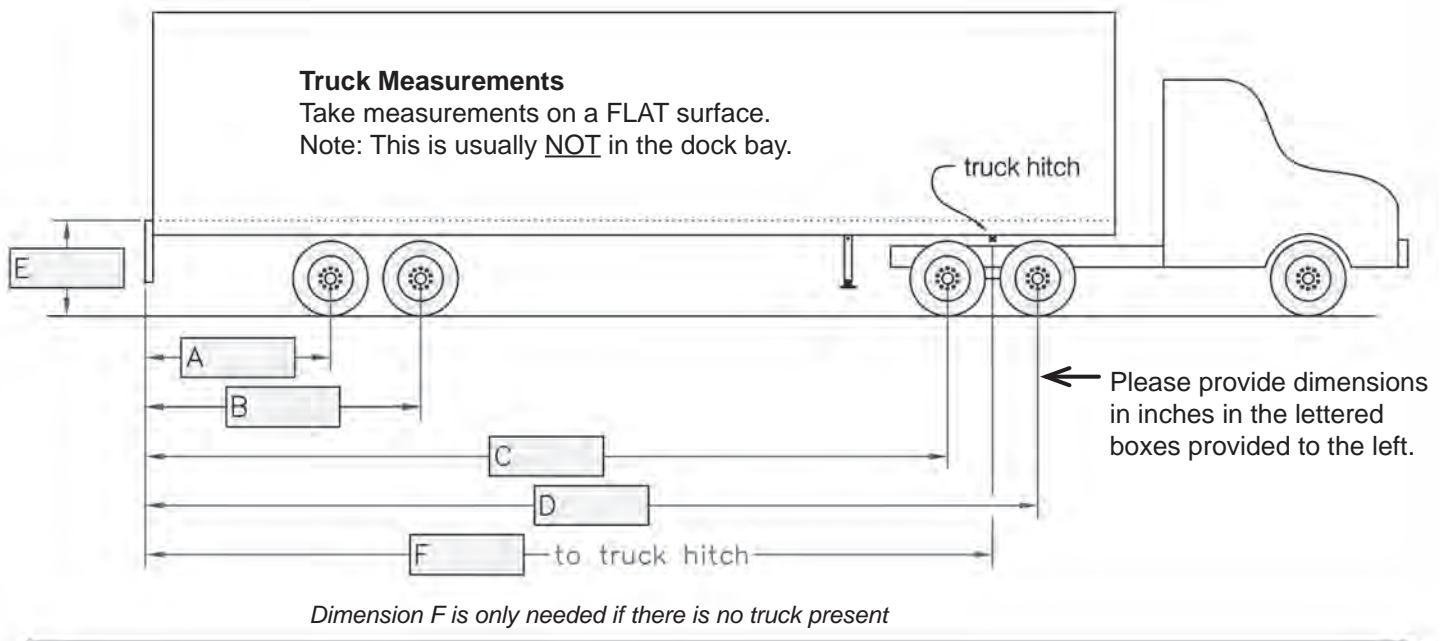
STEEL & ALUMINUM WHEEL RISERS WORKSHEET - Continued

Please provide the dimensions requested below for the vehicles you service. If you service both types of trucks, please provide the dimensions for both.

Take all measurements with the vehicle parked on a flat surface. NOTE: This is usually NOT the dock bay.

Please provide all applicable information, as it is needed to build the correct size of wheel riser for your application.

Truck Type 1: Semi-Trailer Truck



Truck Type 2: Box Delivery Truck or Van

